

HEIGHT TECH HT-8 C180



The HEIGHT TECH HT-8 C180 is the expert for professional industrial inspection. The specialized drone offers many useful features for this application, like the 180° camera gimbal, that help users in inspection tasks. Hard to reach areas can be inspected with the camera tilted upwards, without propellers or booms in the picture.

The universal easy exchange camera integration allows for quick and easy change of sensors. This way the HT-8 C180 can be used in various application scenarios.

Even with wind speeds of up to 55 km/h the HT-8 C180 flies stable. In using two flight batteries, the flight time can be extended to 20 minutes.

For easy transport (for example when traveling or when using manholes in industry installations) the HT-8 C180 has six pluggable motor booms.

UAV	
Size	1015 mm x 1270 mm x 255 mm
Propeller	11" x 5"
Number of Propeller	8
Engines (rpm/V)	700 kV
Empty weight (without battery & camera)	2.850 g
Payload (Gimbal) *	900 g
Take-off weight	max. 5.000 g
Flight time	max. 20 min.
Ascension rate	10 m/s (manual mode), ca. 3 m/s (GPS)
Speed above ground max.	55 km/h (manual mode), 30 km/h (GPS)
Range radio control	max. ca. 4.000 m
Recommended range	ca. 250 m (in visual line of sight)
Operating temperature	-10° C - +40° C
Operating voltage	14,8 V
Battery warning	2 independent systems (acoustic and optic)
Position Hold	GPS, GLONASS, Galileo, BeiDou
IMU	9 DOF + barometer

Gimbal	
Pitch angle vertical	+/- 90°
Rotating angle horizontal	+/- 30°

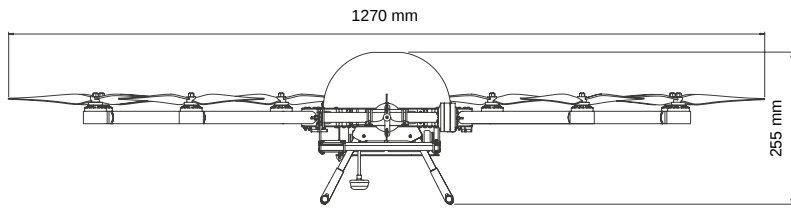
Flight battery	
Battery type	4S Lithium-Polymer (LiPo)
Capacity	6.750 mAh
Power	99 Wh
Voltage	14,8 V
Weight	600 g

Ground control	
Frequenz	2,4 GHz
Sending power	100 mW EIRP
Telemetry	2,4 GHz
Video downlink	5,8 GHz, 25 mW
Battery	1S 6P Li-Io 6.000 mAh
Operating voltage	3,2 - 4,8 V
Waypoint telemetry (opt.)	868 MHz

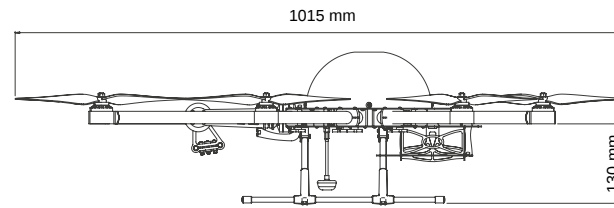
* Only use sensor systems approved by HEIGHT TECH. The total weight may differ due to on-board equipment.

_HT-8 C180 DIMENSIONS

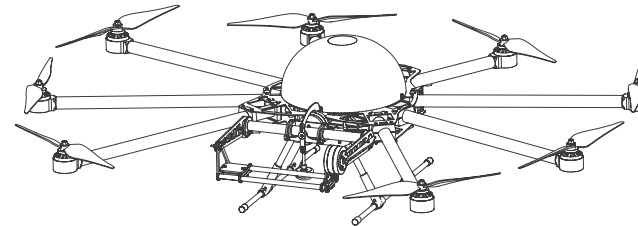
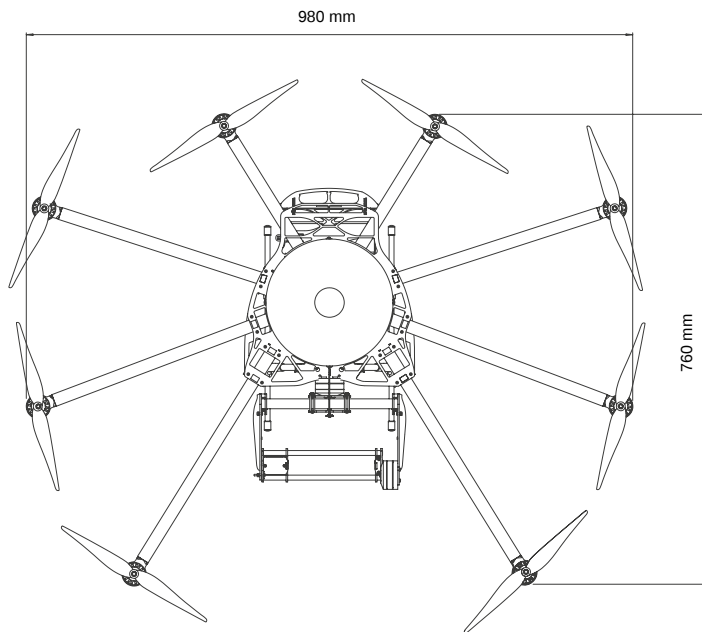
Front view



Side view



Top view





HEIGHT TECH GmbH & Co. KG

Böhlerstraße 1
40667 Meerbusch, Germany

P +49 521 9263237-0

F +49 521 9263237-20

E info@heighttech.com
heighttech.com